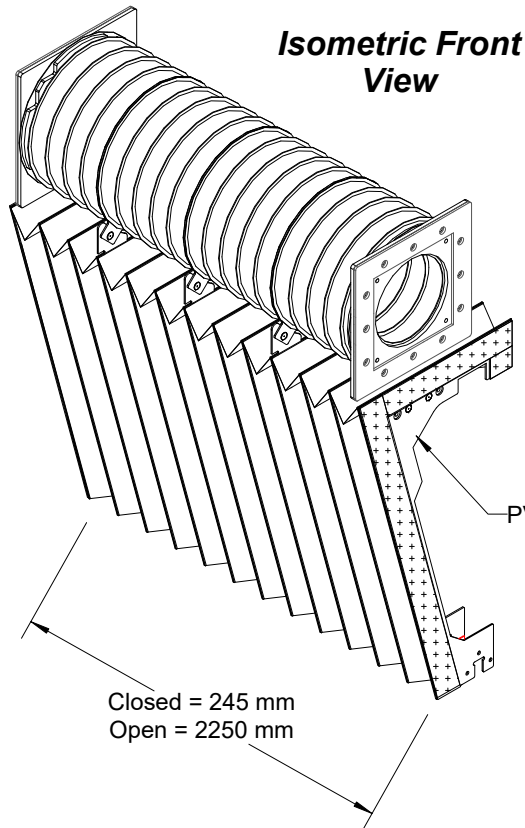
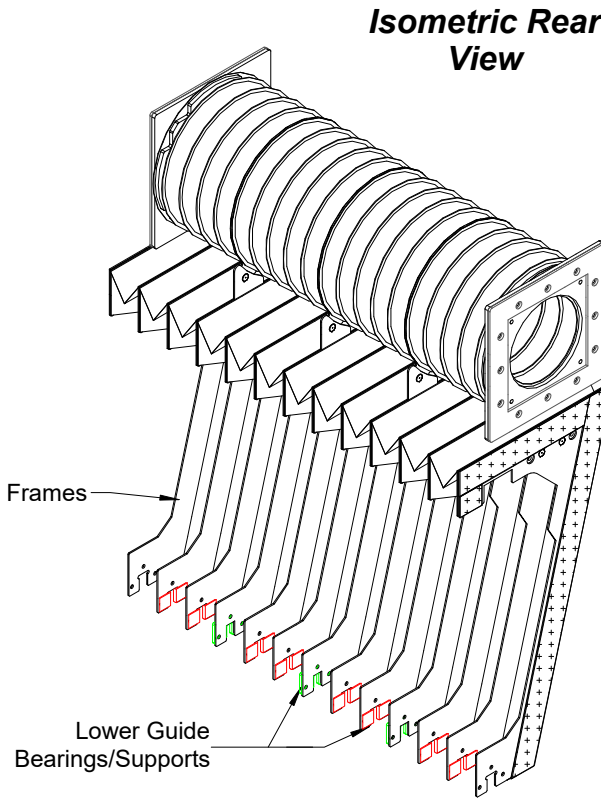


NO.	RBT208/45RBPY
SUPSDS.	

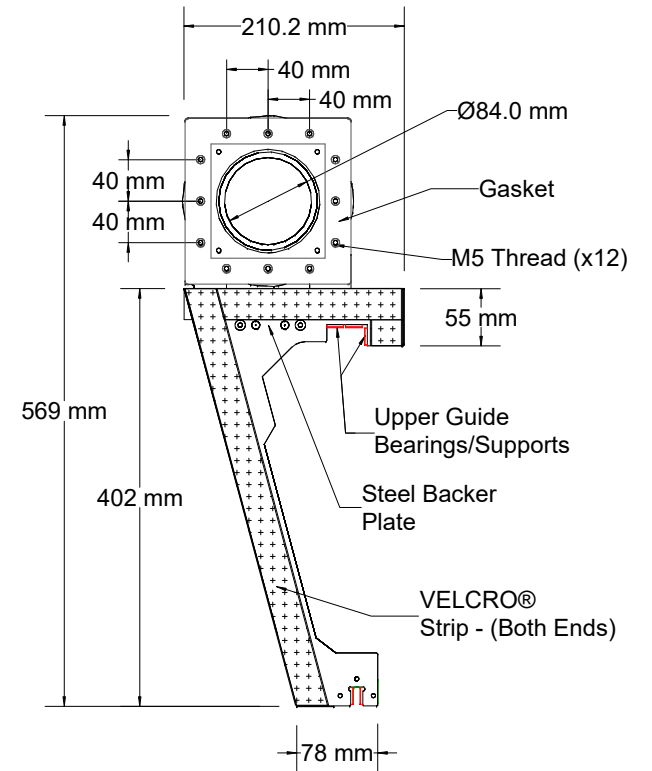
QTY	PRODUCT	NEXT ASSY. DWG.	NO.	DESCRIPTION OF CHANGE	SCO	DATE	BY
			0	NEW ISSUE		09/03/20	DSE
			1				
			2				



Isometric Front View



Isometric Rear View



TOLERANCES UNLESS OTHERWISE SPECIFIED			
FRACTIONS ±1/64		DECIMALS: .X ±.1 .XXX ±.005	
ANGLES ±1/2°		.XX ±.01 .XXXX ±.001	
DO NOT SCALE DRAWING			
DRAWN	DSE	SCALE	NTS
ENG. MGR.		ENG. CHKD.	
ENG. MGR.		PRODN. APPD.	
MAT'L			
MAT'L SPEC. NO.			
FINISH		PROD.	

THIS DOCUMENT IS THE PROPERTY OF RICHARDSON ELECTRONICS, LTD. AND SHALL NOT BE COPIED, REPRODUCED, USED IN THE MANUFACTURE OR SALE OF APPARATUS OR DISCLOSED TO OTHERS WITHOUT PERMISSION.

Richardson Electronics, Ltd.

**Y RAIL / BEAM BELLOWS
REPLACES TRUMPF
P/N 1353516**

Note: Dimensions are for identification purposes only and not for inspection.

NO. RBT208/45RBPY REV. — —